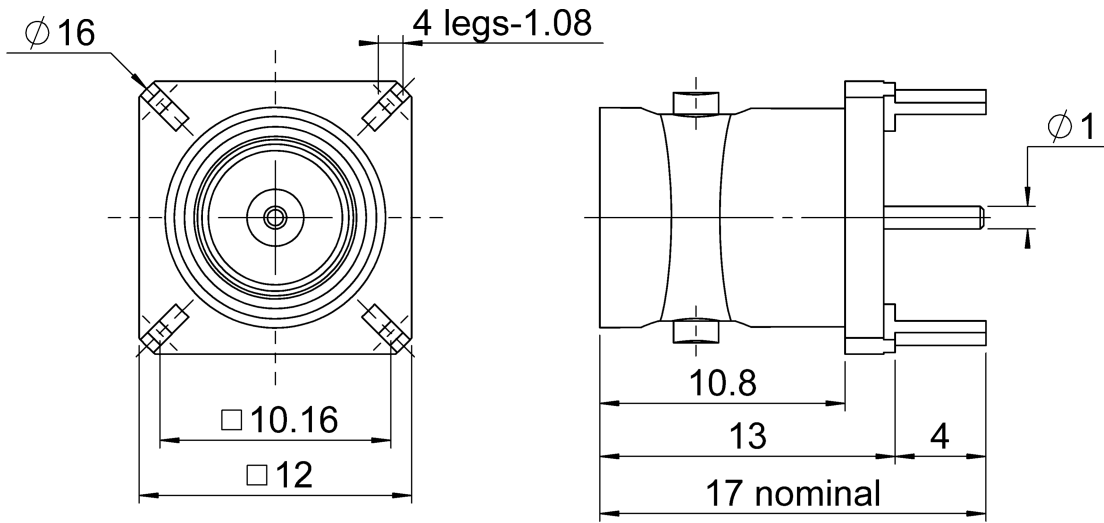
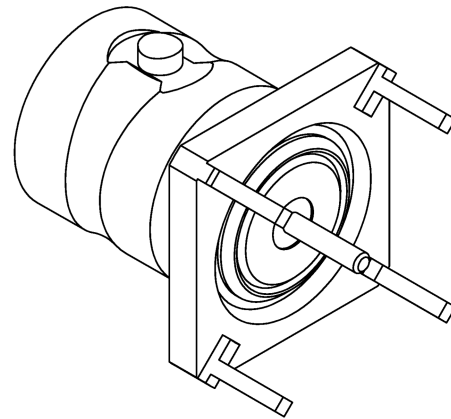
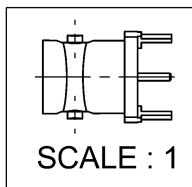
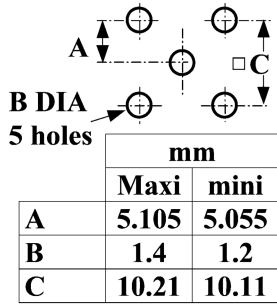


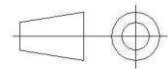
PAGE 1/2	ISSUE 1450M	SERIES BNC-COM	PART NUMBER R141426161
----------	-------------	----------------	------------------------



PANEL CUT OUT



All dimensions are in mm.



COMPONENTS	MATERIALS	PLATING (μm)
Body	BRASS	BBR
Center contact	BRASS	GOLD OVER NICKEL
Outer contact	-	-
Insulator	PTFE	-
Gasket	-	-
Others parts	-	-
-	-	-
-	-	-

PAGE 2/2	ISSUE 1450M	SERIES BNC-COM	PART NUMBER R141426161
----------	--------------------	-----------------------	-------------------------------

PACKAGING

Standard	Unit	Other
100	Contact us	Contact us

ELECTRICAL CHARACTERISTICS

Impedance		50		Ω
Frequency		0-1.5		GHz
VSWR	1.08	+	0.0060	x F(GHz) Maxi
Insertion loss			.025*	√F(GHz) dB Maxi
RF leakage	-		NA	- F(GHz)) dB Maxi
Voltage rating			500	Veff Maxi
Dielectric withstanding voltage			1500	Veff mini
Insulation resistance			5000	MΩ mini

ENVIRONMENTAL

Operating temperature	-35/+70		°C
Hermetic seal	NA		Atm.cm3/s
Panel leakage	NA		

MECHANICAL CHARACTERISTICS

Center contact retention				
Axial force – Mating End		15		N mini
Axial force – Opposite end		15		N mini
Torque		NA		N.cm mini

SPECIFICATION

OTHER CHARACTERISTICS

Recommended torque				
Mating		NA		N.cm
Panel nut		NA		N.cm

Assembly instruction:

Mating life		100		Cycles mini
Weight		4.2040		g

Others:

*** Coaxial Transmission Line Only**